



TERTIARY AND VOCATIONAL EDUCATION COMMISSION



COMMON WRITTEN EXAMINATION - 2021/ 2022

Diploma in Quantity Surveying
NVQ Level 05 – Semester I

Drawing Practice for Quantity	F45C002M06	Three Hours
--------------------------------------	-------------------	--------------------

Answer All Questions

Question-01

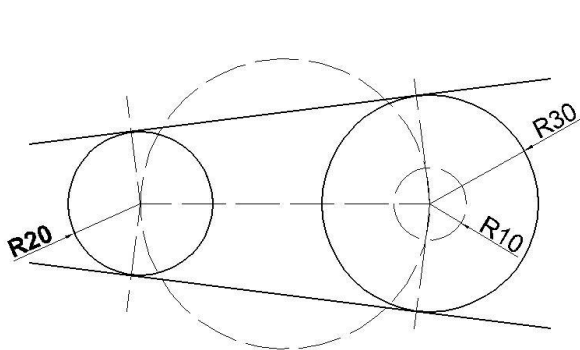
a. Draw following views of the given simple house plan (*Annexure-01*) according to the **First angle projection** with the original scale. (You can calculate all the dimensions that are not mentioned in the drawing by referring the given dimensions)

- I. **Plan view** (15 marks)
- II. **Front view** (15 marks)
- III. **Right side view** (15 marks)

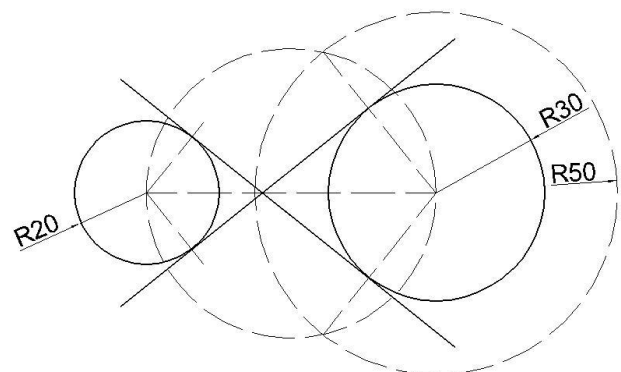
Question-02

- a. Draw simple common tangents at both sides to the two circles with radii *20 mm* and *30 mm*. The distance between their centers is *80 mm*.
- b. In a separate drawing, draw transverse common tangents to the above two circles as well. Show all construction lines very lightly but legibly.

(20 marks)



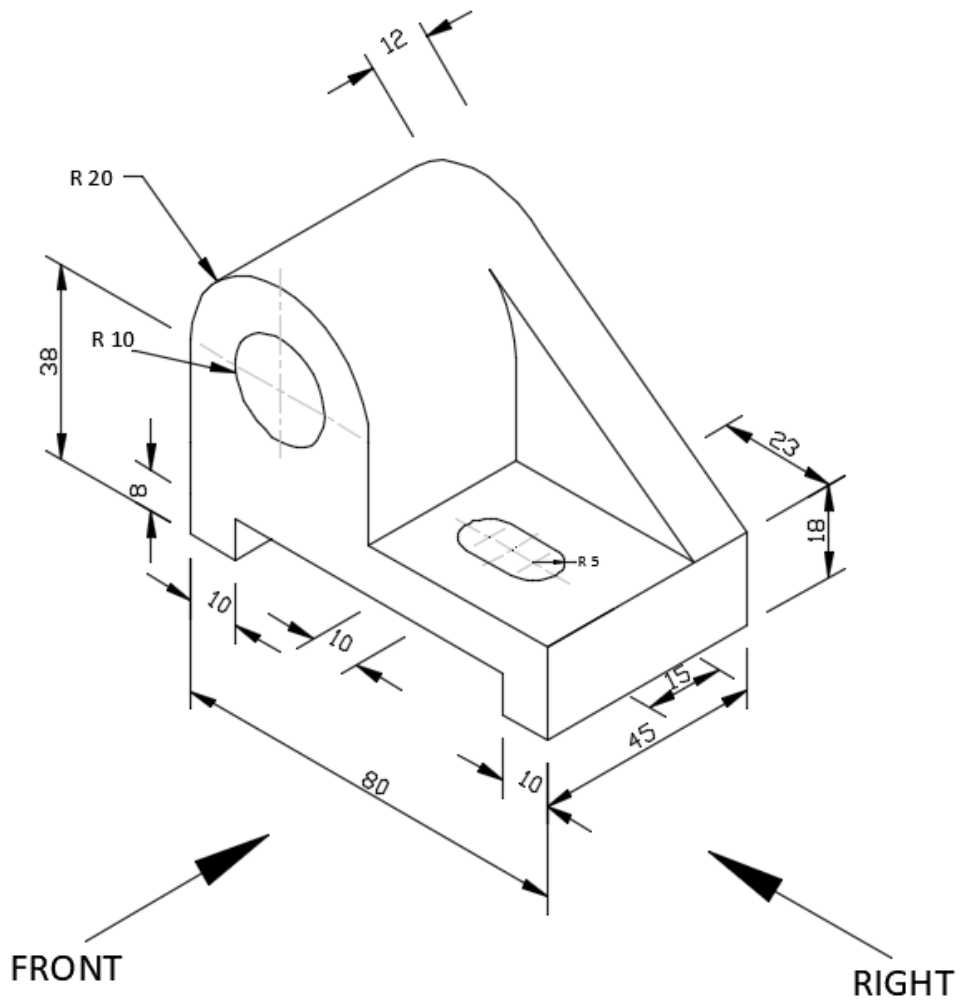
Simple Common Tangents



Transverse Common Tangents

Question-03

- a. Illustrate the same figure of Isometric view of the object given below in your AutoCAD worksheet with the given dimensions.



(35 marks)