

TERTIARY AND VOCATIONAL EDUCATION COMMISSION



NVQ LEVEL 05 –SEMESTER I
CONSTRUCTION TECHNOLOGY



TECHNICAL DRAWING-
DRAWING ROOM

F45C001M02

TWO HOURS

Answer All Questions in Section A and B.

INSTRUCTIONS:

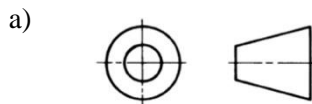
1. This question paper consists of two sections
2. Provide answers for
 - a) Section-A in given answer book,
 - b) Section-B in given A2 sheets.

Section-A

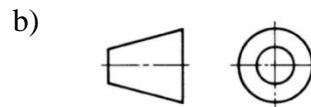
Question No. 01

Provide short answers for following questions and use necessary sketches to explain your answers.

- i). Briefly discuss the importance of engineering drawing in construction field as a universal language. (05 marks)
- ii). **Identify** the symbols mentioned below and **state the dimensions relationship** with the external diameter, \emptyset . (04 marks)



[Figure Q1_a]



[Figure Q1_b]

- iii). Express the standard dimensions (ISO) for paper sizes mentioned below.
 - A2
 - A3
 - A4
 - A1(04 marks)
- iv). Discuss the relationship of “Eccentricity” with Ellipse, Parabola and Hyperbola separately. (03 marks)
- v). Draw and name four (04) different line types used in engineering drawings. (04 marks)

Section-B

Question No. 02

- i). Draw the "Isometric View" of the Figure Q2_a given below.

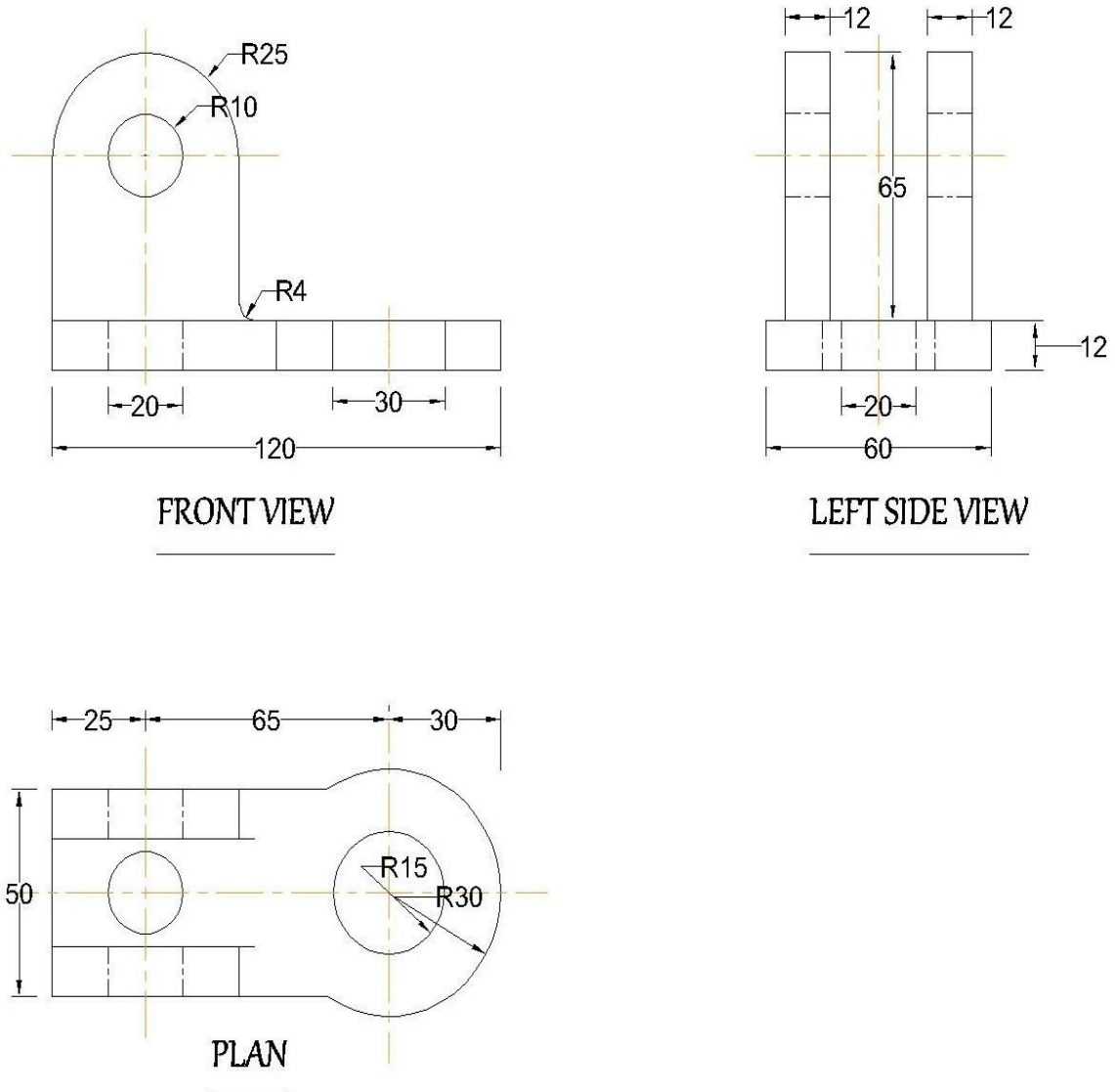


Figure Q2_a

- ii). Draw a single Helix for 90mm height cylinder and consider the diameter as half of the height. (10 marks)
- iii). Draw an Archimedean spiral within 35mm radius circle. (10 marks)
- iv). Draw a Cycloid for 1m diameter wheel according to the 1:20 scale. (10 marks)

All rights reserved.

TERTIARY AND VOCATIONAL EDUCATION COMMISSION



NVQ LEVEL 05 –SEMESTER I
CONSTRUCTION TECHNOLOGY



TECHNICAL DRAWING
COMPUTER LAB

F45C001M02

ONE HOUR

INSTRUCTIONS:

1. You have to draw this drawing by using AutoCAD software in ICT laboratory of your institute.
2. Complete your works within 1 hour and save as pdf (A-4 size) file in separate folder name by your respective index number.
3. Keep both CAD and pdf files in same folder.
4. All dimensions are in 'mm'.

Question No. 01

Draw the given drawing (Figure Q1-c) according to the correct dimensions mentioned below.
(20 marks)

